



Made in USA



Linear LED Lighting TRX 100C-24L-SW3-T3-DUO 24 LED



20725 NE. 16 AVE. #A-33
MIAMI, FLORIDA 33179
TEL: (305) 652-2599
FAX: (305) 650-8812
WWW.LUMIRON.COM
EMAIL:SALES@LUMIRON.COM

Feature

1. Dimmable, DMX, WiFi, RF Wireless
2. Low Power Consumption
3. Easy Installation and Low Maintenance
4. Custom Lengths and Unique Color Sequencing Available
5. **Two colors combined**

Application

The new TRX 100C SW3 T3 DUO Linear LED is a great product to improve the light for your future Cove and Architectural work, Jewelry Showcases, Museum Lighting, and Marine Lighting. The product contains 24 LED's with two colors that creates an exceptional view for the eye.

Specifications

Lengths	6 Inch – 10 Inch	*Custom Lengths Available
Diameter	0.99"	
Color Temperature	Warm White / Neutral White / Cool White / Red / Amber / Green / Blue	
Wattage	6 Watts	
Lumens	581 lm	
Input Voltage	12 or 24 VDC	
View Angle	120 degrees	
LED Spacing	0.5 Inch Center to Center	
LED Type	T3	
IP Rating	Indoor Standard – outdoor IP67 EPX Series	
Lens	Clear Acrylic Standard	
Housing	Anodized Clear Aluminum Extrusion	* Custom Colors Available (e.g., Gold, Black..)
Mounting	Wall Snap Mounting Standard	
Leads	2 Foot 18G 2 Cond	*Custom Wire lengths Available

Order Codes

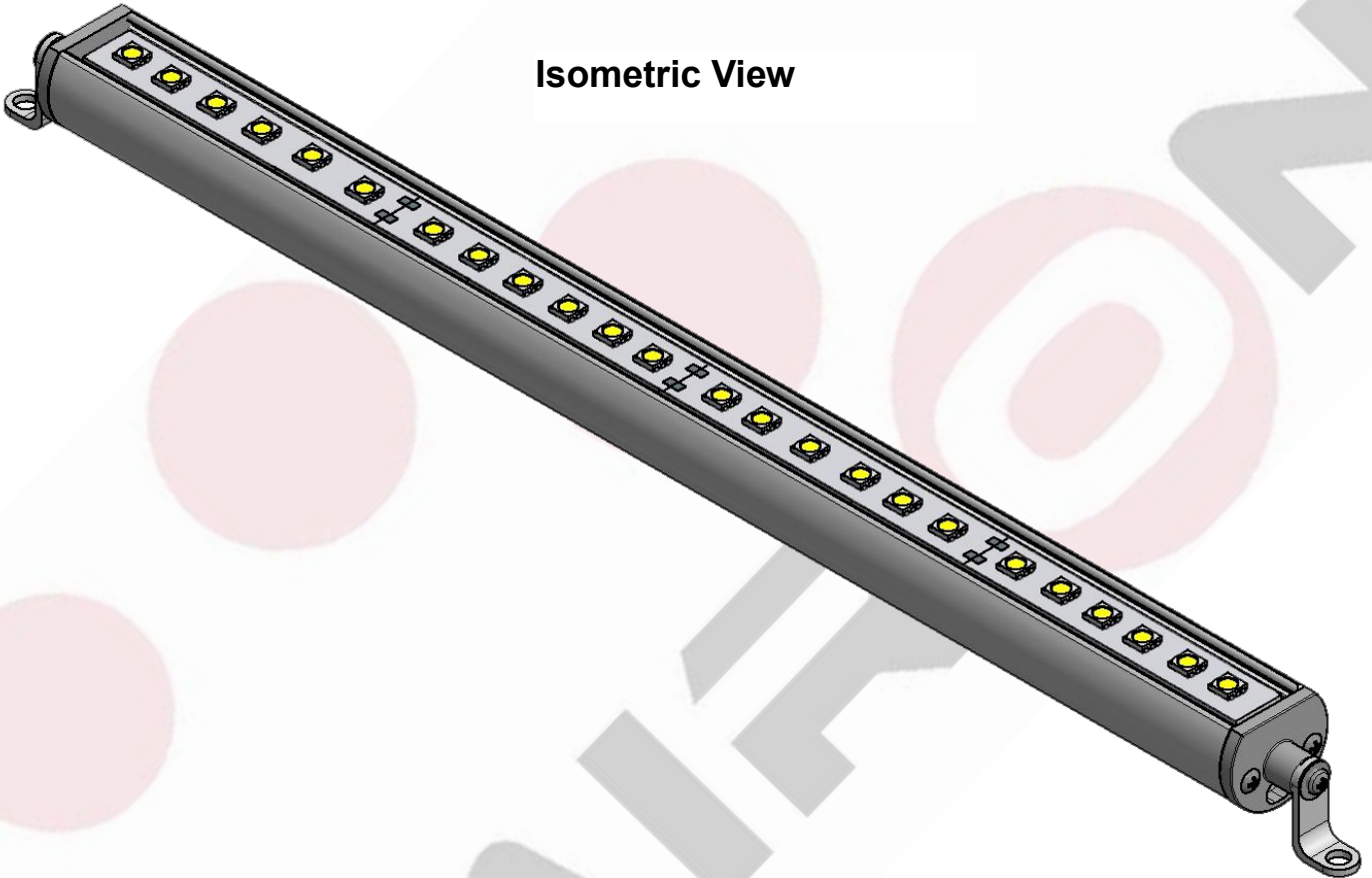
SERIES	LENGTH	COLOR TEMP	#LED / F	VOLTAGE	IP LISTING	LENS	MOUNTING
TRX 100C-SW3-DUO	6" – 10'	CW Cool White NW neutral white WW warm white SCL single color LED RGB&W	24L T3 6W/FT	12 or 24VDC	IN Indoor EPX Outdoor	CL clear MK Milky	SV Swivel

Order Example

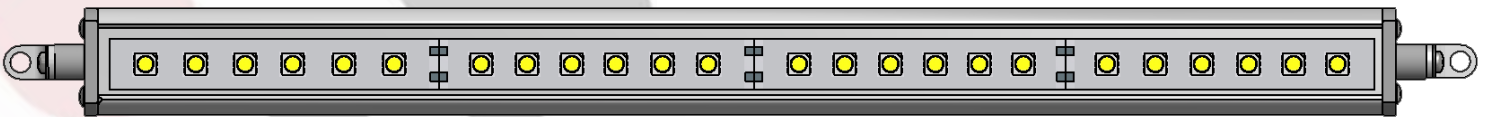
SERIES	LENGTH	COLOR TEMP	#LED / F	VOLTAGE	IP LISTING	LENS	MOUNTING
TRX 100C-SW3-DUO	5'6"	CW	24L T3	12 VDC	IN Indoor	CL clear	SV swivel

3D Modeling

Isometric View

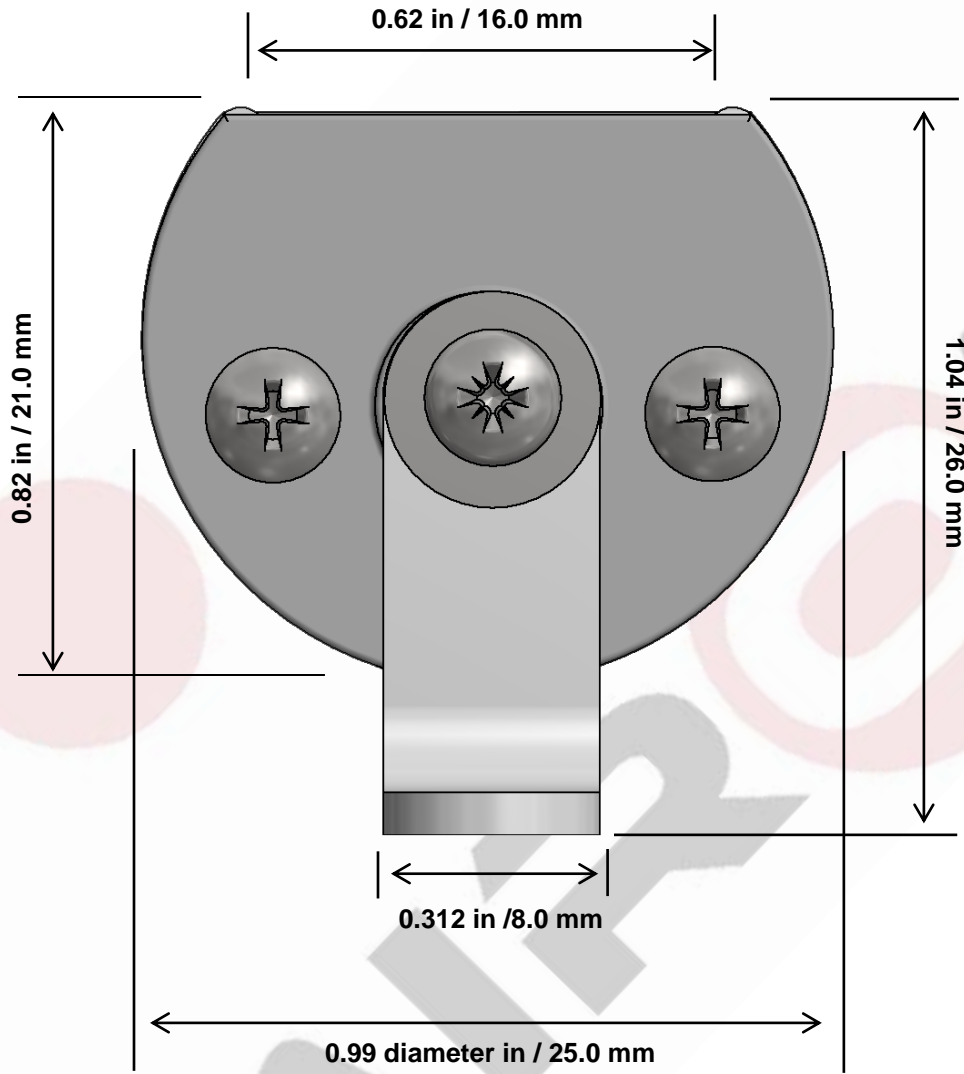


Top View

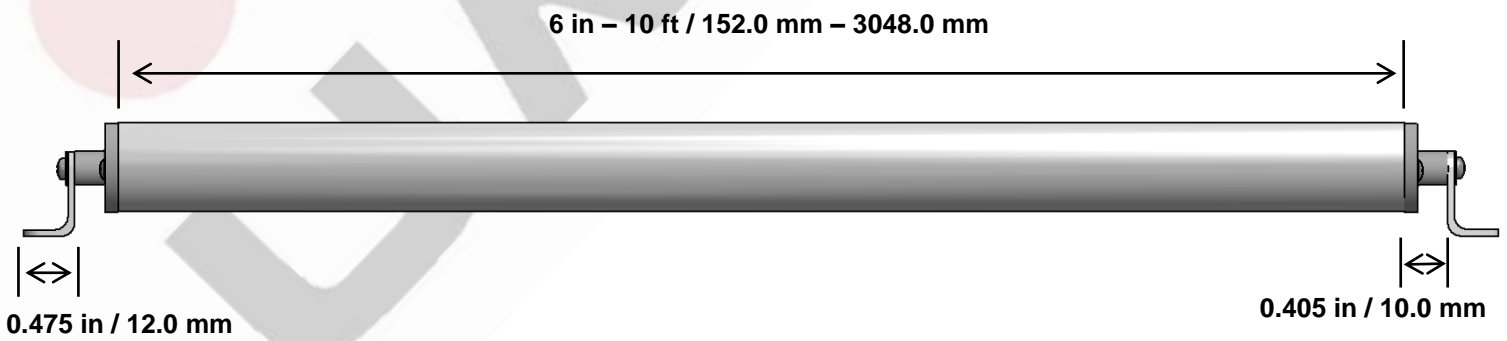


- | | | | | | | | | | | |
|----------|-----------|---------------|-------|-----------|---|---|--------------|---------------|---|---|
| Dimmable | 120°
∨ | Transf. Excl. | IP 20 | IP 67 EPX | ← | ↑ | 12 or 24 VDC | 24 LED PER/ft | ↶ | ↷ |
|----------|-----------|---------------|-------|-----------|---|---|--------------|---------------|---|---|

Front View



Side View



To view the 3D model of the Linear LED above please visit the website.