

THE NEW

# LUMIROD 110C LED CLOSET ROD



## PRODUCT APPLICATION AND INSTALLATION MANUAL

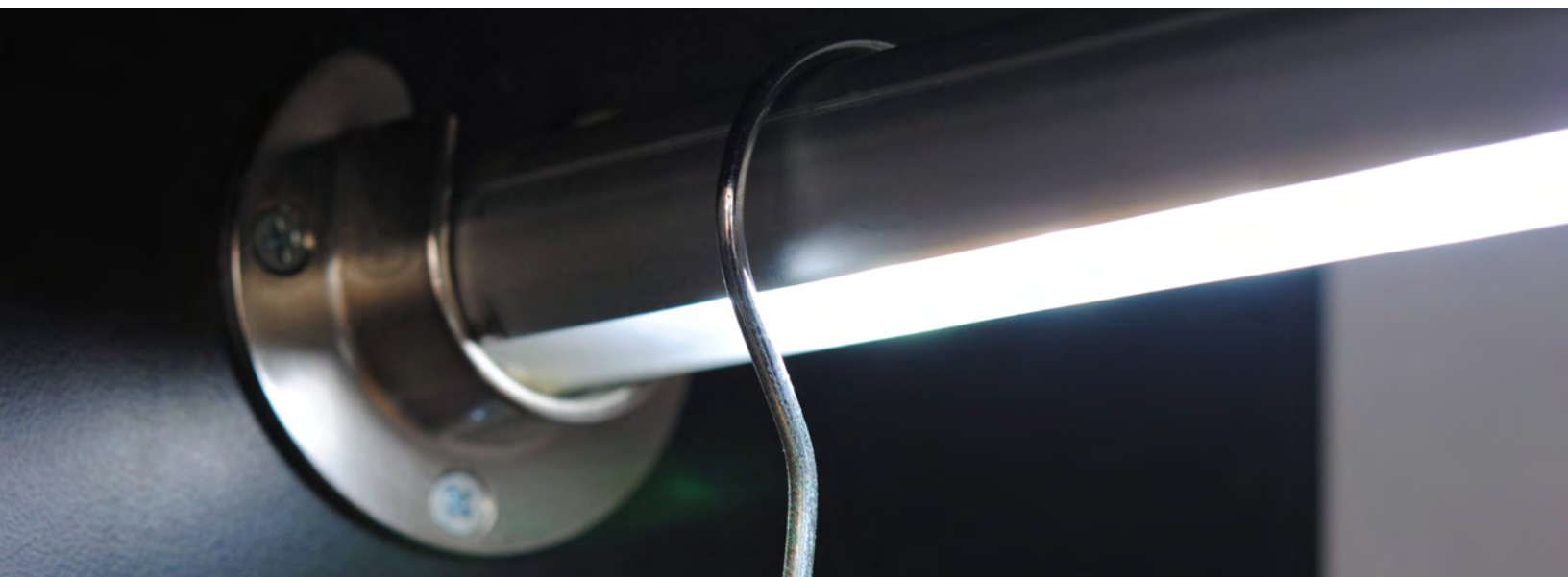


[lumiron.com](https://lumiron.com)



# TABLE OF CONTENTS

● <b>SECTION 1</b> .....	3
<b>ABOUT LUMIROD 110C</b> .....	
● <b>PRODUCT APPLICATIONS</b> .....	4
● BENEFITS & FEATURES.....	
● LUMIROD 110C LED CLOSET ROD.....	
● <b>PRODUCT SPECIFICATIONS</b> .....	5
● <b>PRODUCT CODES</b> .....	6
● ORDER CODES.....	
● <b>PRODUCT ISOMETRIC VIEW</b> .....	7
● <b>PRODUCT SIDE A RENDERING</b> .....	8
● ENDING CAP A.....	
● BRACKET A.....	
● <b>PRODUCT SIDE B RENDERING</b> .....	9
● ENDING CAP B.....	
● BRACKET B.....	
● <b>OPTIONAL ACCESSORIES</b> .....	10
● MAGNET SWITCH.....	
● MOTION SENSOR TRX.....	
● <b>OPTIONAL ACCESSORIES</b> .....	11
● CEILING SUPPORT LU1CS.....	
● <b>SECTION 2</b> .....	12
<b>BLUEPRINTS LUMIROD 110C</b> .....	
● <b>LUMIROD 110C INSTALLATION BLUEPRINT</b> .....	13
● WALL WIRING OPTION.....	
● <b>LUMIROD 110C INSTALLATION BLUEPRINT</b> .....	14
● OUTSIDE/CEILING WIRING OPTION.....	
● <b>CEILING SUPPORT INSTALLATION BLUEPRINT</b> .....	15
● CEILING SUPPORT LU1CS OPTION.....	
● <b>SECTION 3</b> .....	16
<b>ELECTRICAL WIRING</b> .....	
● <b>WIRING INSTALLATION DIAGRAM</b> .....	17
● WIREWORK FOR <b>SINGLE</b> LUMIROD 110C ROD.....	
● WIREWORK FOR <b>MULTIPLE</b> LUMIROD 110C ROD.....	
● <b>DIMMER ASSEMBLY</b> .....	18
● <b>ON/OFF ONLY</b> OPTION FOR NON-DIMMABLE.....	
● WIRED OPTION FOR DIMMABLE.....	
● <b>DIMMER ASSEMBLY</b> .....	19
● <b>WIRELESS</b> OPTION FOR DIMMABLE.....	
● <b>MAGNET CONNECTOR ASSEMBLY</b> .....	20
● <b>MOTION SENSOR TRX ASSEMBLY</b> .....	21
● <b>SECTION 4</b> .....	22
<b>COMPLETE INSTALLATION SAMPLES</b> .....	
● <b>FINAL RESULTS VIEW</b> .....	23
● SAMPLE 1.....	
● SAMPLE 2.....	



# SECTION 1

# ABOUT LUMIROD 110C

PLEASE NOTE THAT REGARDLESS OF NUMBER OF RODS USED, OR TYPE OF INSTALLATION FOR A SPECIFIC PROJECT, ALL OPTIONS IN THIS MANUAL NEED TO FOLLOW CORRECT INSTALLATION INSTRUCTIONS

## REMINDER

To avoid damage to the LUMIROD RODS and electric parts, follow the instructions on this manual as described.

If you have any questions, please contact us at **305-652-2599** or send us your questions to **[sales@lumiron.com](mailto:sales@lumiron.com)**.

# PRODUCT APPLICATIONS

## BENEFITS & FEATURES

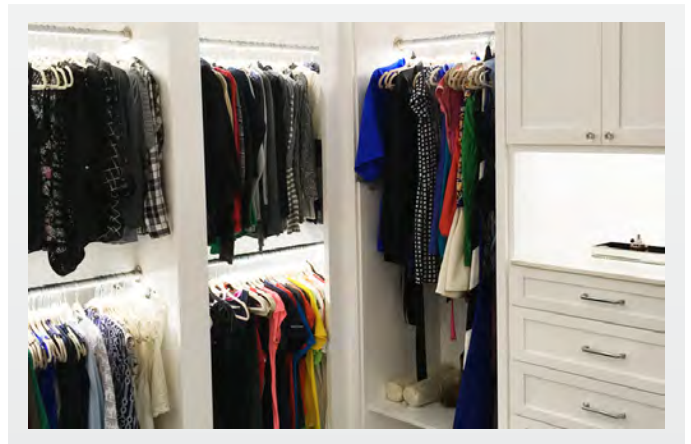
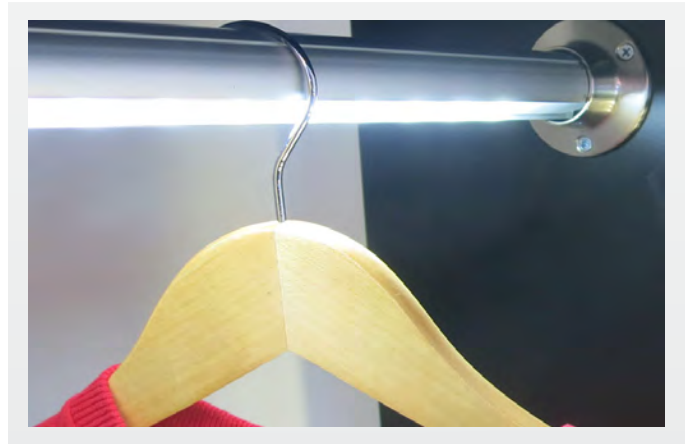
- ✓ Made in USA.
- ✓ Easy installation and low maintenance.
- ✓ DYU, Do it yourself easy option.
- ✓ Custom lengths and unique color sequencing.
- ✓ Indoor and outdoor.
- ✓ Dimmable, DMX, Wi-Fi, RF Wireless, Smart Phone App, soon with Amazon Alexa integration.

- ✓ **Low power consumption**



The **LUMIROD** is an LED linear closet rod that has an integrated LED lighting system inside the extrusion. It is designed for closets and storage spaces to illuminate clothing hanging below it, or other items directly from the aluminum extrusion.

The **LUMIROD** is strong enough to support up to 50lbs per foot. It comes in low voltage of 24 VDC.



## LUMIROD 110C LED CLOSET ROD

Great looking and innovative fixture, is easy to install and can be customized to a maximum length of 8 feet. With a power consumption of only 6watts per foot, it is a safe, cool, and a low voltage (3-6V) fancy product.

It can be dimmed and/or controlled with an automatic on/off system; it can turn on when the door opens/close or with a motion detector system.

The **LUMIROD 110C LED CLOSET ROD** will soon have the option for Amazon Alexa integration.



# PRODUCT SPECIFICATIONS

<b>LENGTHS</b>	6" – 96" (Custom Lengths Available)
<b>DIAMETER</b>	1.10" (27.94 mm)
<b>COLOR TEMP</b>	Warm White, Neutral White, Cool White, Red, Amber, Green, Blue, RGB, RGBW
<b>WATTAGE / FOOT</b>	3 or 4.5 Watts
<b>LUMENS / FOOT</b>	T2: 259/foot or T4: 447/foot
<b>INPUT VOLTAGE</b>	24 VDC
<b>VIEW ANGLE</b>	120 Degrees
<b>LED TYPE</b>	T4 (2835)
<b>IP RATING</b>	Indoor Standard IP20 – Outdoor IP67 EPX Series
<b>CRI</b>	90
<b>LENS</b>	Diffused Lens Standard
<b>HOUSING</b>	Anodized Clear Aluminum Extrusion (Custom Colors Available)
<b>MOUNTING</b>	Newly updated Closet Rod Mounting Brackets
<b>LEADS</b>	2 Foot 18g 2 Cond (Custom Wire Lengths Available)

# PRODUCT CODES

## ORDER CODES

SERIES	LENGTH	ACCESORIES	LENS	LENS TYPE	IP RATING
LUMIROD 110C	6" – 96"	Motion sensor TRX Magnet connector Brackets	DF (Diffused)	CV (Curved)	IN (Indoor) EPX (Outdoor)

COLOR	WHITE COLOR TEMP
CW (Cool White)	6000K
NW (Neutral White)	4000K
WW (Warm White)	3000K, 2700K
RGB (Red, Green, Blue)	-----
RGBW (Red, Green, Blue, White)	6000K, 4000K, 3000K (white only)
CCT (Changing White)	6000K, 3000K

MOUNTING
CR Closet Rod Custom Mounting

### CUSTOM ORDER EXAMPLE

SERIES	LENGTH	ACCESORIES	IP RATING
LUMIROD 110C	4' – 6"	Brackets	IN (Indoor)

COLOR	WHITE COLOR TEMP
WW (Warm White)	3000K

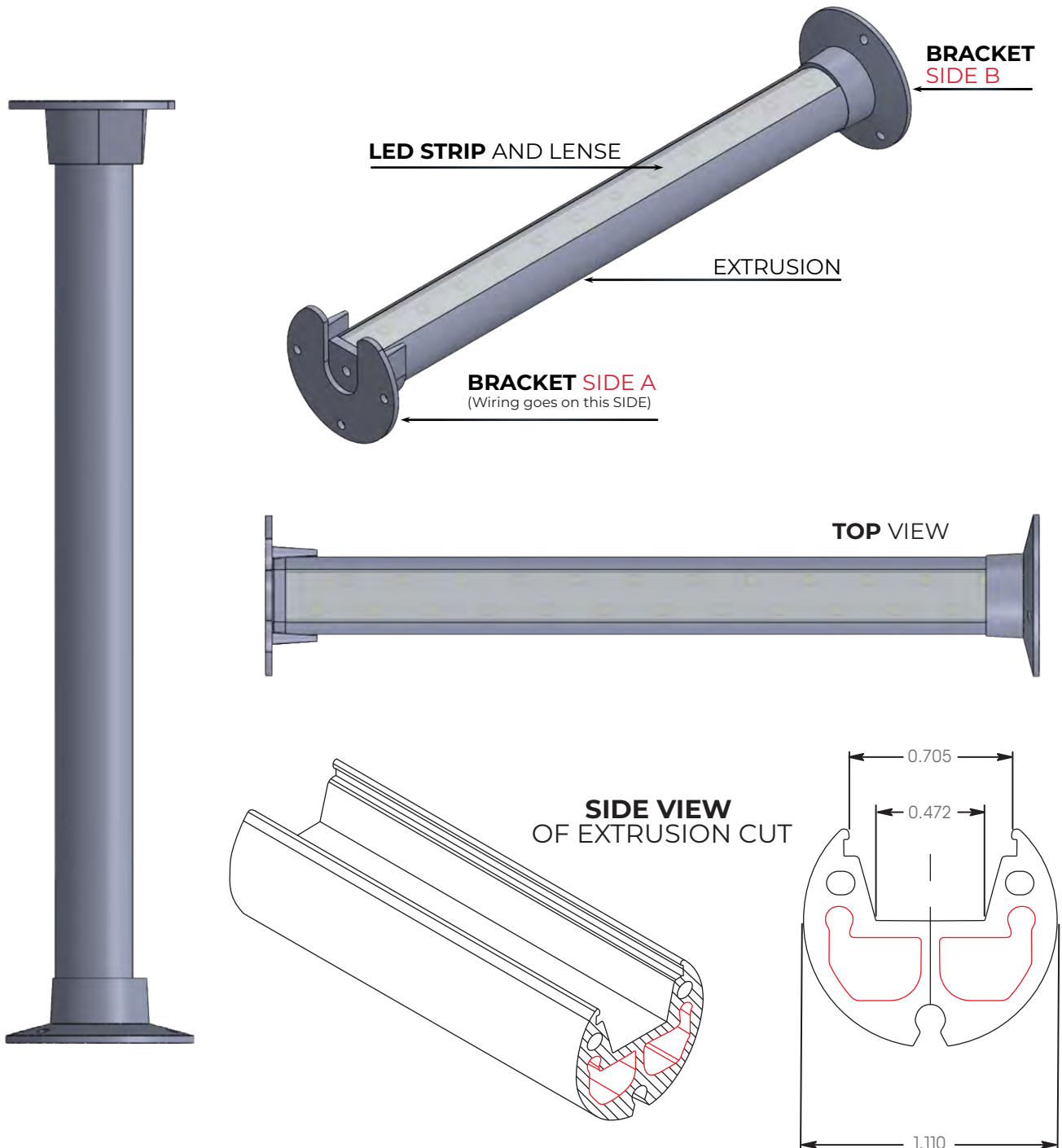
MOUNTING
CR Closet Rod Custom Mounting



# PRODUCT ISOMETRIC VIEW

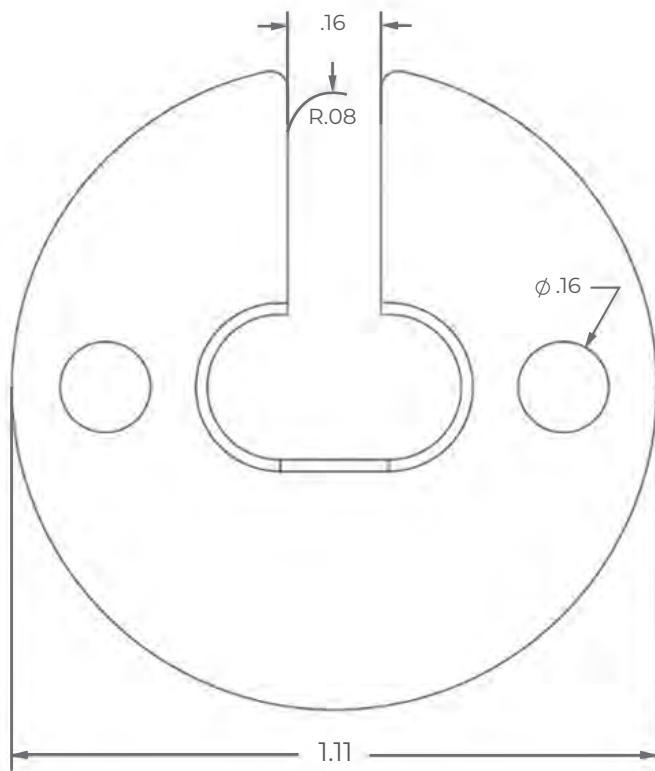
## **IMPORTANT** NOTE:

Specifications and characteristics shown can change at any time due to the constant improvements to LED lightning options and technology. Pictures and blueprints on this manual are only examples, dimensions and type will vary according to each custom project.



# ENDING CAP & BRACKET SIDE A RENDERING

ENDING  
CAP A



ENDING CAP  
SIDE A

## IMPORTANT NOTE:

Make sure the wiring from **EXCRUSION** is going through **SIDE A** of **ENDING CAP** and **BRACKET**, regardless on option of installation.

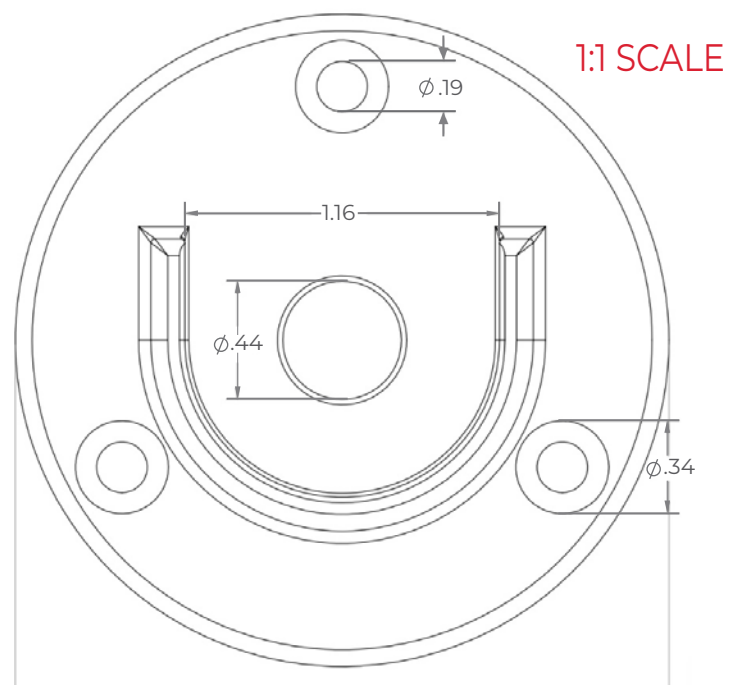
After securing the **ENDING CAP** to extrusion with the screws provided for installation, make sure the wired part goes with **SIDE A** of **BRACKET**.

Follow instructions on **SECTION 3** for correct electrical installation.

BRACKET  
A



BRACKET  
SIDE A

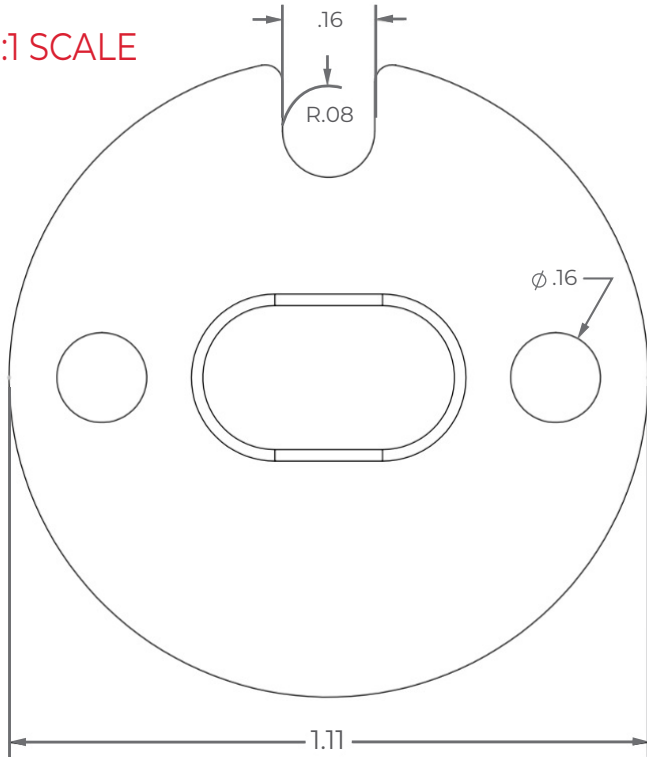




# ENDING CAP & BRACKET SIDE B RENDERING

ENDING  
CAP

1:1 SCALE



ENDING CAP  
SIDE B

## IMPORTANT NOTE:

Make sure **NO** wiring goes through **SIDE B** of **ENDING CAP** and **BRACKET**. **This side is not designed to support any wiring.**

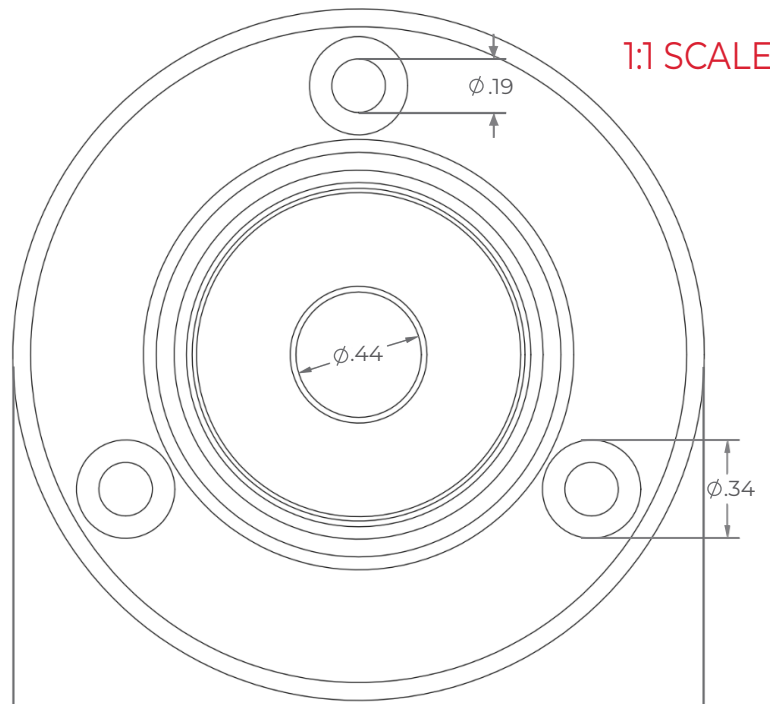
Follow instructions on **SECTION 3** for correct electrical installation.

BRACKET



BRACKET  
SIDE B

1:1 SCALE



# OPTIONAL ACCESSORIES

## MAGNET SWITCH

ACC300-CNT-1001MGT

The ACC300-CNT-1001MGT it is a switch on/off Magnet Connector for closet door

SCAN QR CODE TO GO  
DIRECTLY TO THIS ACCESSORY  
ONLINE PAGE



## MOTION SENSOR TRX

MOTION-SENSOR-TRX

The **MOTION SENSOR TRX** is a great product to improve the lighting experience for your future Cove and Architectural project. The product contains a built in motion sensor capability, which automatically activates once sensor detects motion.

SCAN QR CODE TO GO  
DIRECTLY TO THIS ACCESSORY  
ONLINE PAGE



# OPTIONAL ACCESSORIES

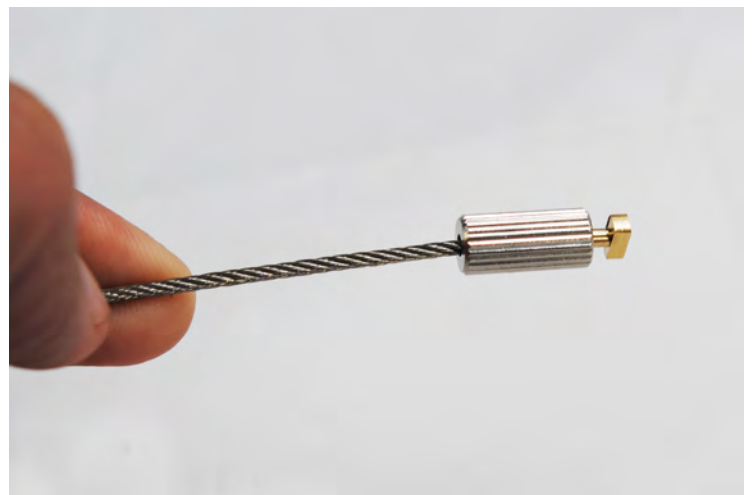
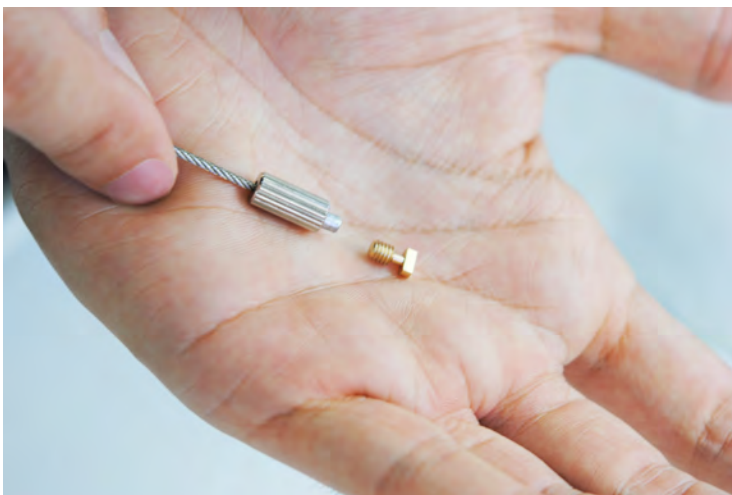
## CEILING SUPPORT LUTCS



### EXTRA SUPPORT OPTION FOR HEAVY DUTY SETUPS

#### **IMPORTANT NOTE**

The **CEILING CABLE** is only necessary and designed for extra support when the weight the **LUMIROD 110C** will support is **more than 50 lbs**, and/or the setup for installation required a **longer ROD than 6' (feet)**. Refer to **page 15** for Blueprint of installation.



## SECTION 2

# BLUEPRINTS LUMIROD 110C

PLEASE NOTE THAT REGARDLESS OF NUMBER OF RODS USED, OR TYPE OF INSTALLATION FOR A SPECIFIC PROJECT, ALL OPTIONS IN THIS MANUAL NEED TO FOLLOW CORRECT INSTALLATION INSTRUCTIONS

### REMINDER

To avoid damage to the LUMIROD RODS and electric parts, follow the instructions on this manual as described.

If you have any questions, please contact us at **305-652-2599** or send us your questions to **[sales@lumiron.com](mailto:sales@lumiron.com)**.

# LUMIROD 110C INSTALLATION BLUEPRINT

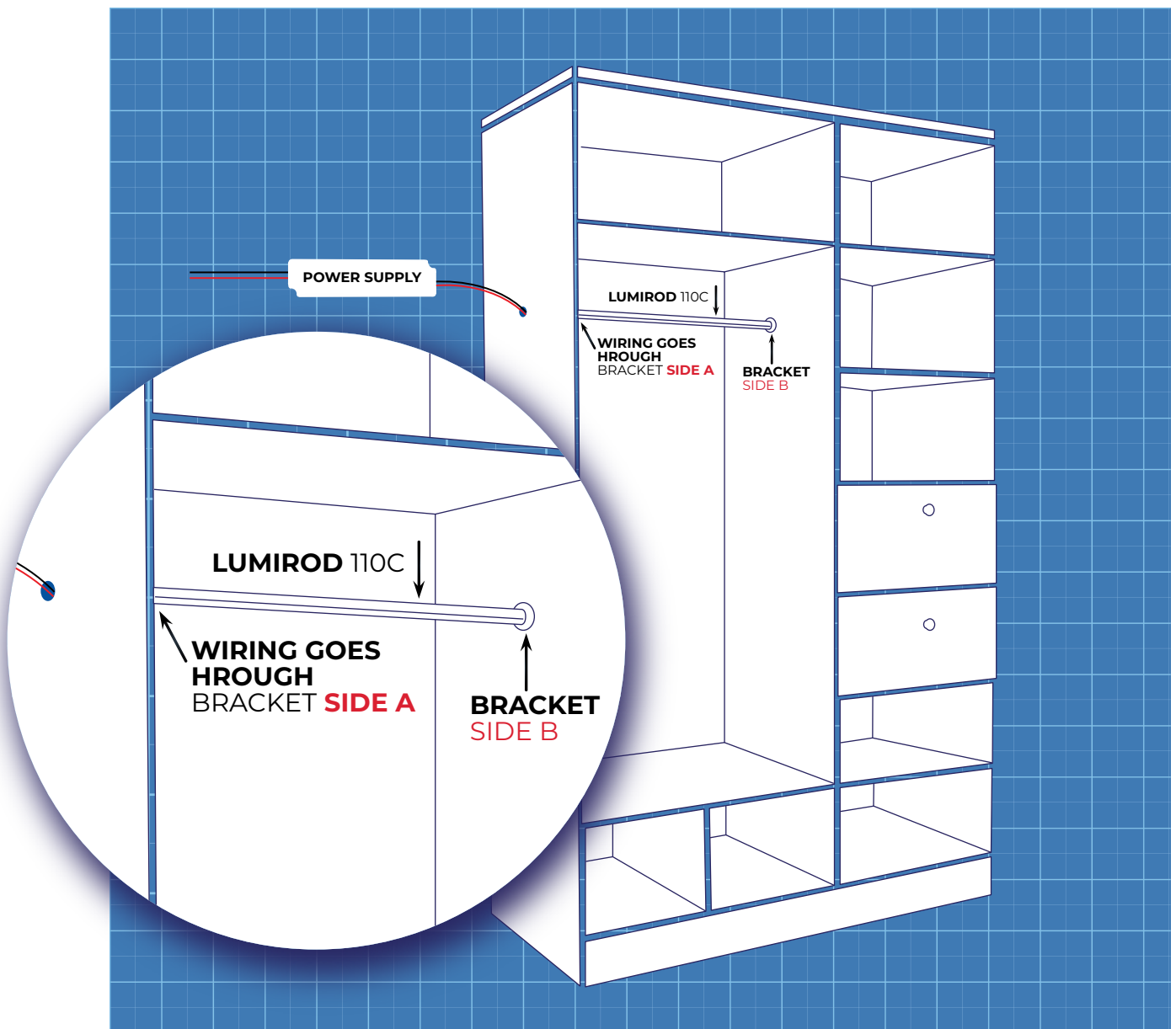
## WALL WIRING OPTION

### FOLLOW THE CORRECT WIRING

On this installation option, **THE WIRING** goes through a wall, or closet wall, so none of the wiring is on view. Follow the **WIRING DIAGRAM** on **SECTION 4**, for how install Optional Accesories.

### WARNING!

Make sure that the wired part of the **LUMIROD ROD**, is installed with the **SIDE A** of **ENDING CAP** and **BRACKET**.



# LUMIROD 110C INSTALLATION BLUEPRINT

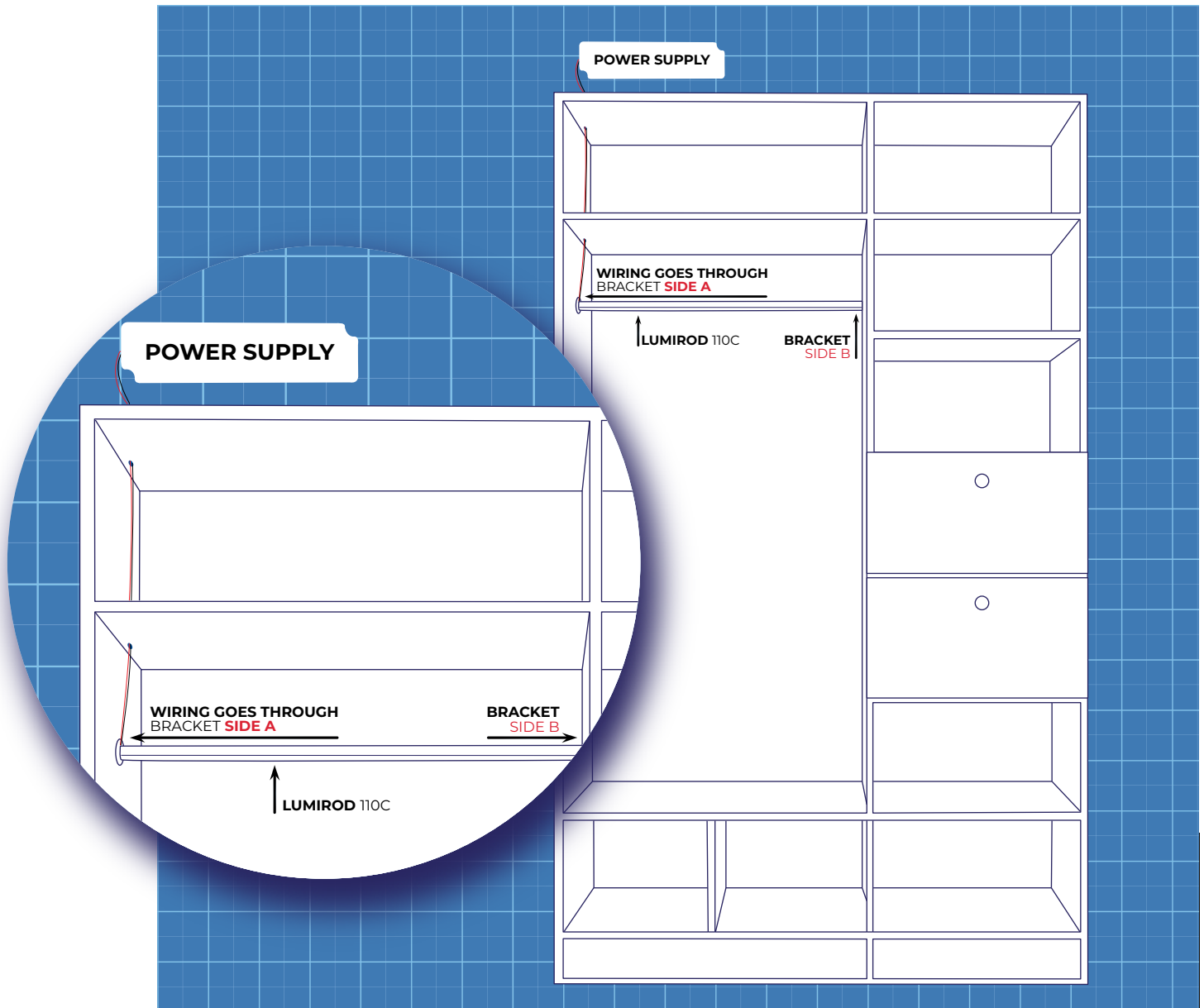
## OUTSIDE/CEILING WIRING OPTION

### FOLLOW THE CORRECT WIRING

On this installation setup, **THE WIRING** goes outside through the ceiling, or closet ceiling top, and the wiring is on view. This setup is an option when wiring through the wall is not possible. Follow the **WIRING DIAGRAM** on **SECTION 4**, for how install Optional Accesories.

### **WARNING!**

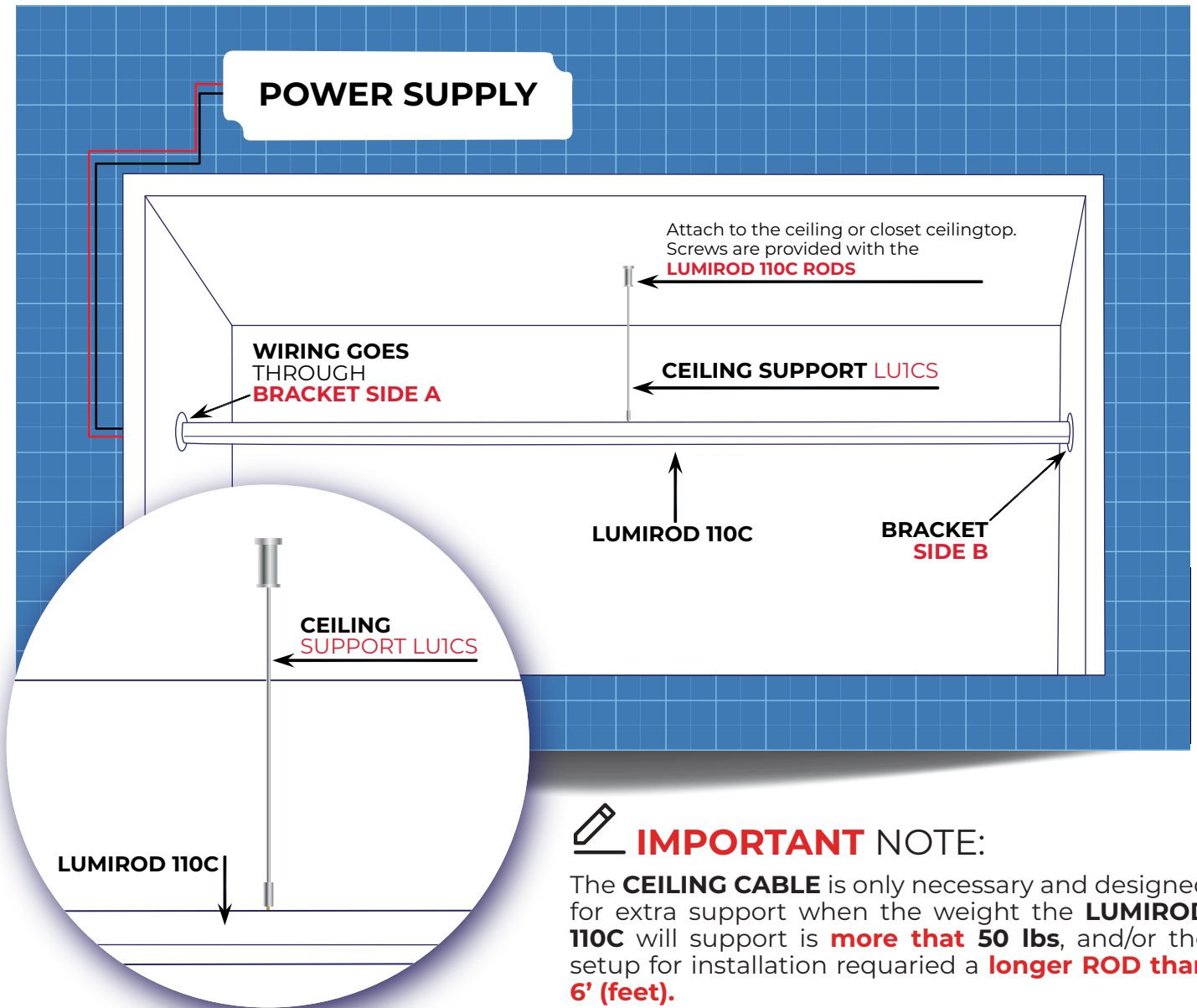
Make sure that the wired part of the **LUMIROD ROD**, is installed with the **SIDE A** of **ENDING CAP** and **BRACKET**.





# CEILING SUPPORT INSTALLATION BLUEPRINT

## CEILING SUPPORT LUTCS OPTION



## SECTION 3

# ELECTRICAL WIRING

Regardless of type of installation, electrical wiring will be the same on all rods. All the required electrical supplies needed for each specific project, will be provided along with **LUMIROD 110C LED RODS**

# WIRING INSTALLATION DIAGRAM

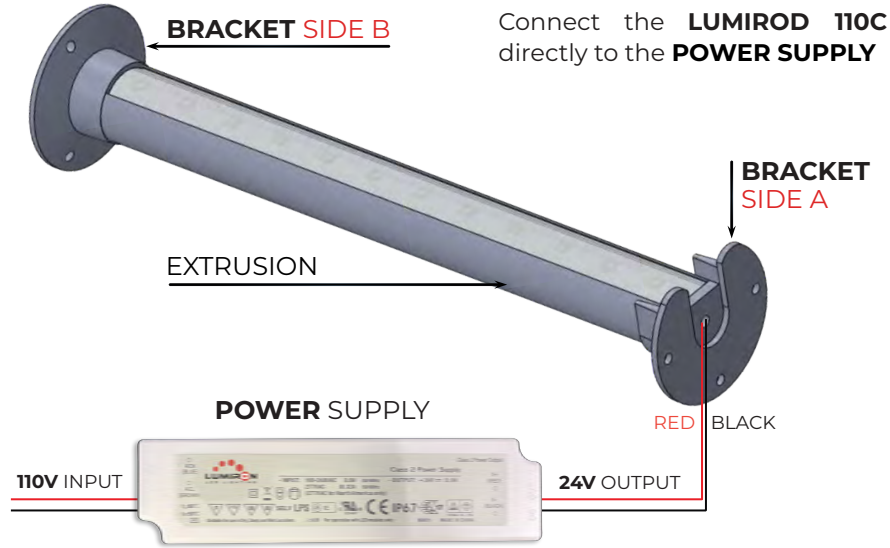
## WIREFORK FOR **SINGLE** LUMIROND 110C ROD

### **WARNING!**

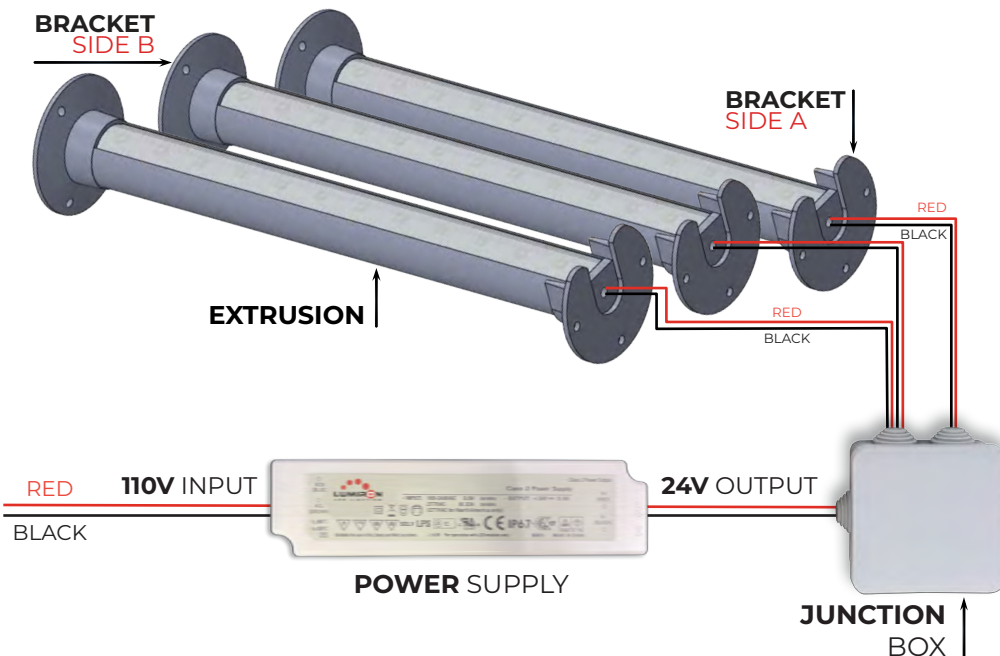
Do not connect the wired end of **LUMIROD 110C** to **SIDE B** of **ENDING CAP** or **BRACKET**. Wired end must be connected to **SIDE A** of both **ENDING CAP** and **BRACKET**, as shown on picture below.

### **FOLLOW THE CORRECT WIRING**

Connect the **LUMIROD 110C** directly to the **POWER SUPPLY**



## WIREFORK FOR **MULTIPLE** LUMIROND 110C ROD



### **REMEMBER!**

Connect the wired end of **LUMIROD 110C** to **SIDE A** of both **ENDING CAP** and **BRACKET**, as shown on picture below.



### **IMPORTANT NOTE:**

It is recommended that in case of a multiple installation, the **LUMIRODS 110C** are connected through a **JUNCTION BOX** to the **POWER SUPPLY**

# DIMMER ASSEMBLY

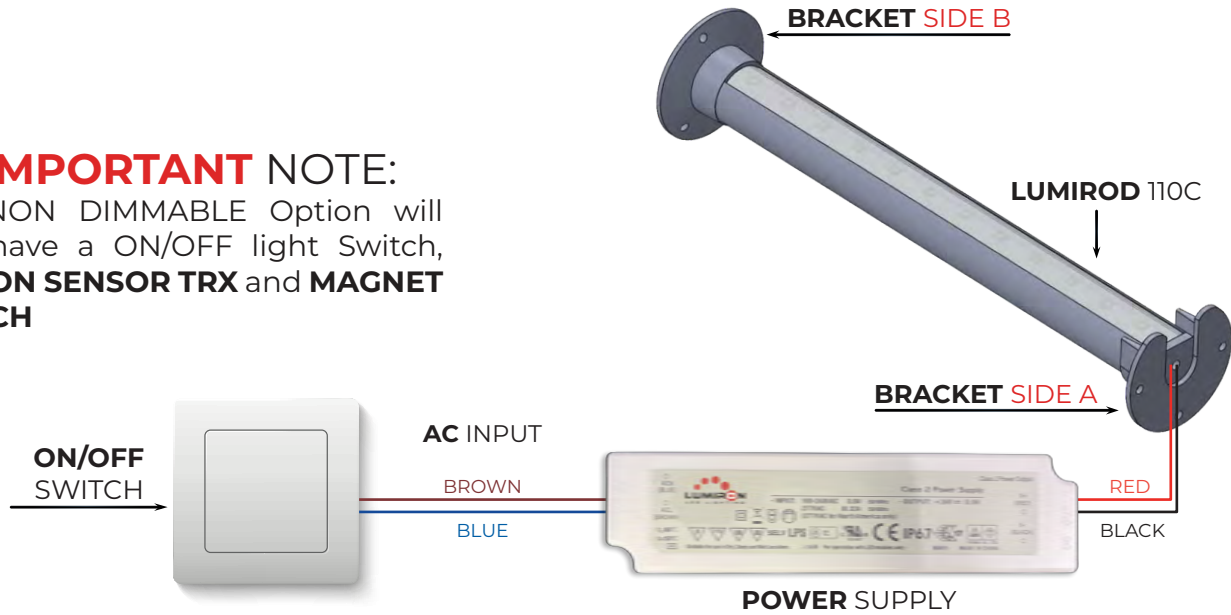
## ON/OFF ONLY

OPTION FOR NON-DIMMABLE



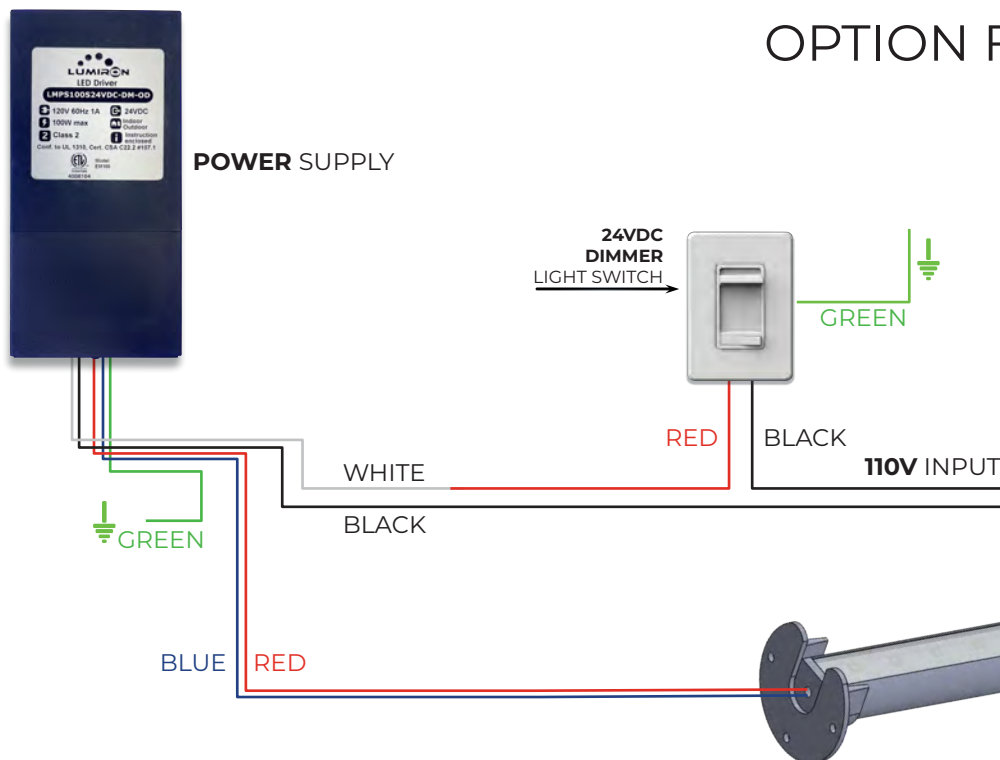
### IMPORTANT NOTE:

The NON DIMMABLE Option will only have a ON/OFF light switch, **MOTION SENSOR TRX** and **MAGNET SWITCH**



## WIRED

OPTION FOR DIMMABLE



### ! WARNING!

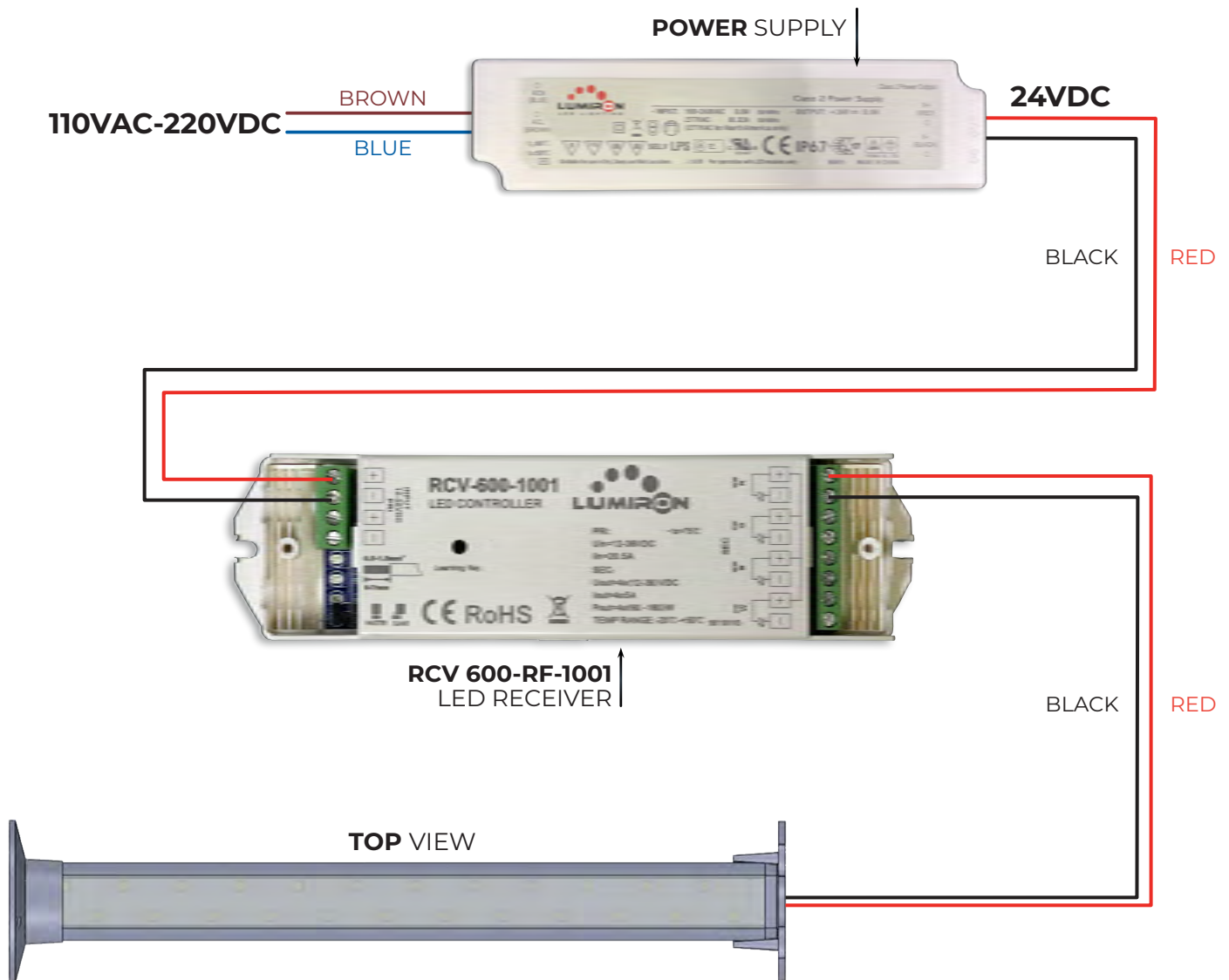
DO NOT CONNECT THE LUMIROD 110C DIRECTLY TO AC 110V-220V

# DIMMER ASSEMBLY

## WIRELESS OPTION FOR DIMMABLE

### ⚠ **WARNING!**

DO NOT CONNECT THE  
**LUMIROD 110C** DIRECTLY  
TO **AC 110V-220V**



### ⚠ **REMEMBER!**

Connect the wired end of **LUMIROD 110C** to **SIDE A** of both **ENDING CAP** and **BRACKET**, as shown on picture bellow.



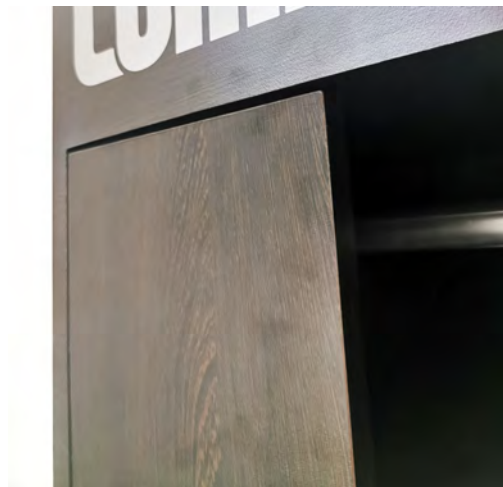
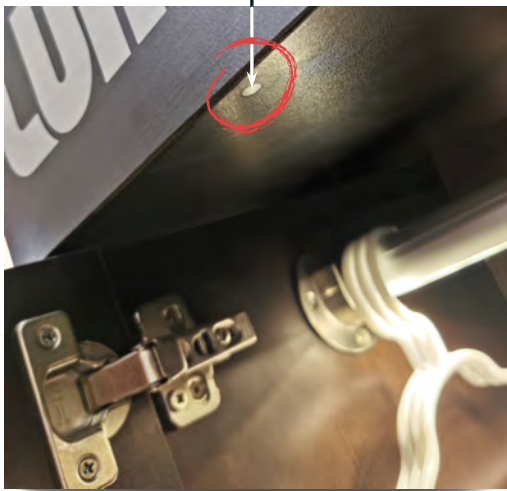
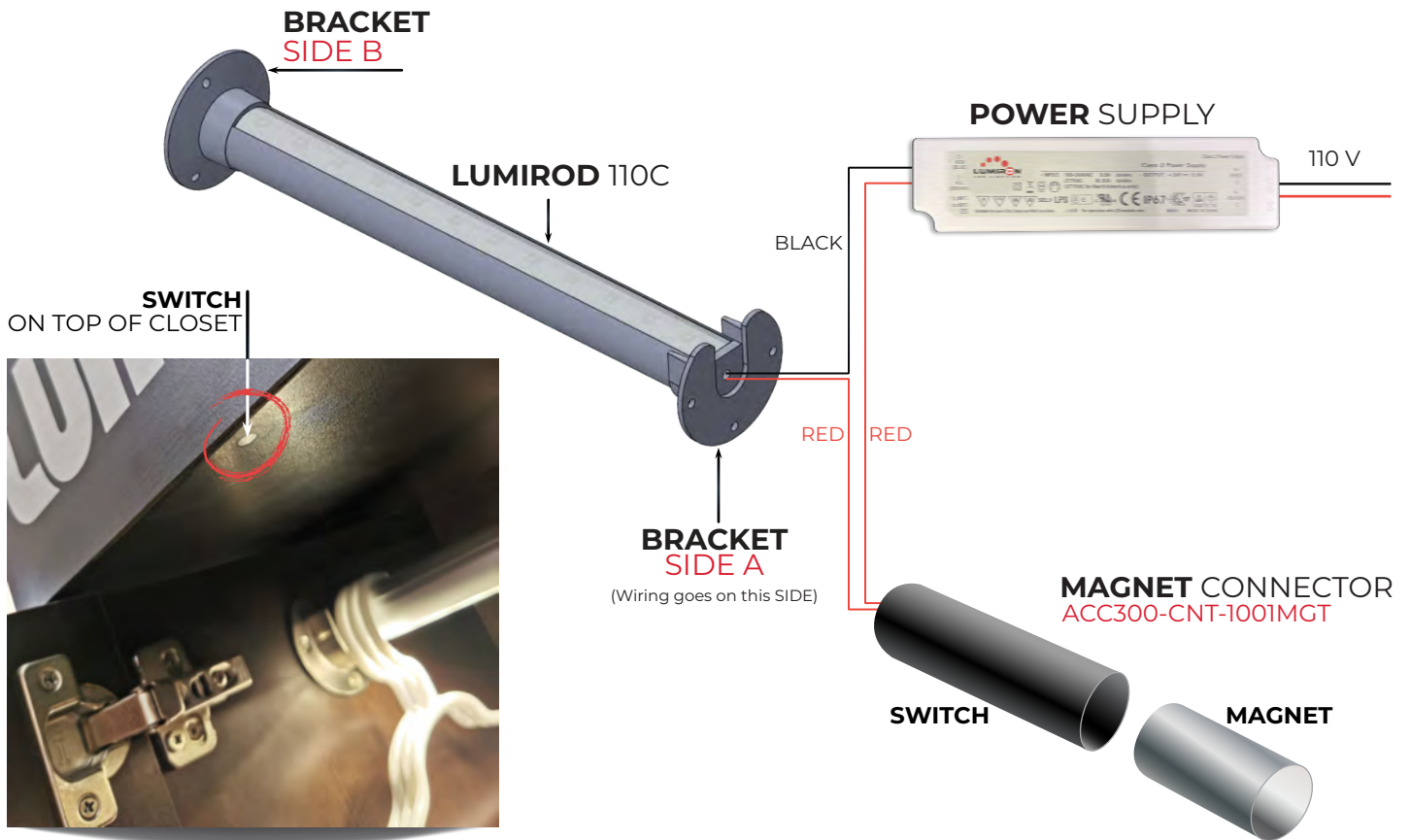
# MAGNET CONNECTOR ASSEMBLY



**FOLLOW THE**  
CORRECT WIRING

The **MAGNET CONNECTOR** allows to turn **ON/OFF** the **LUMIRON 110C** on contact with a door on any closet setup or design

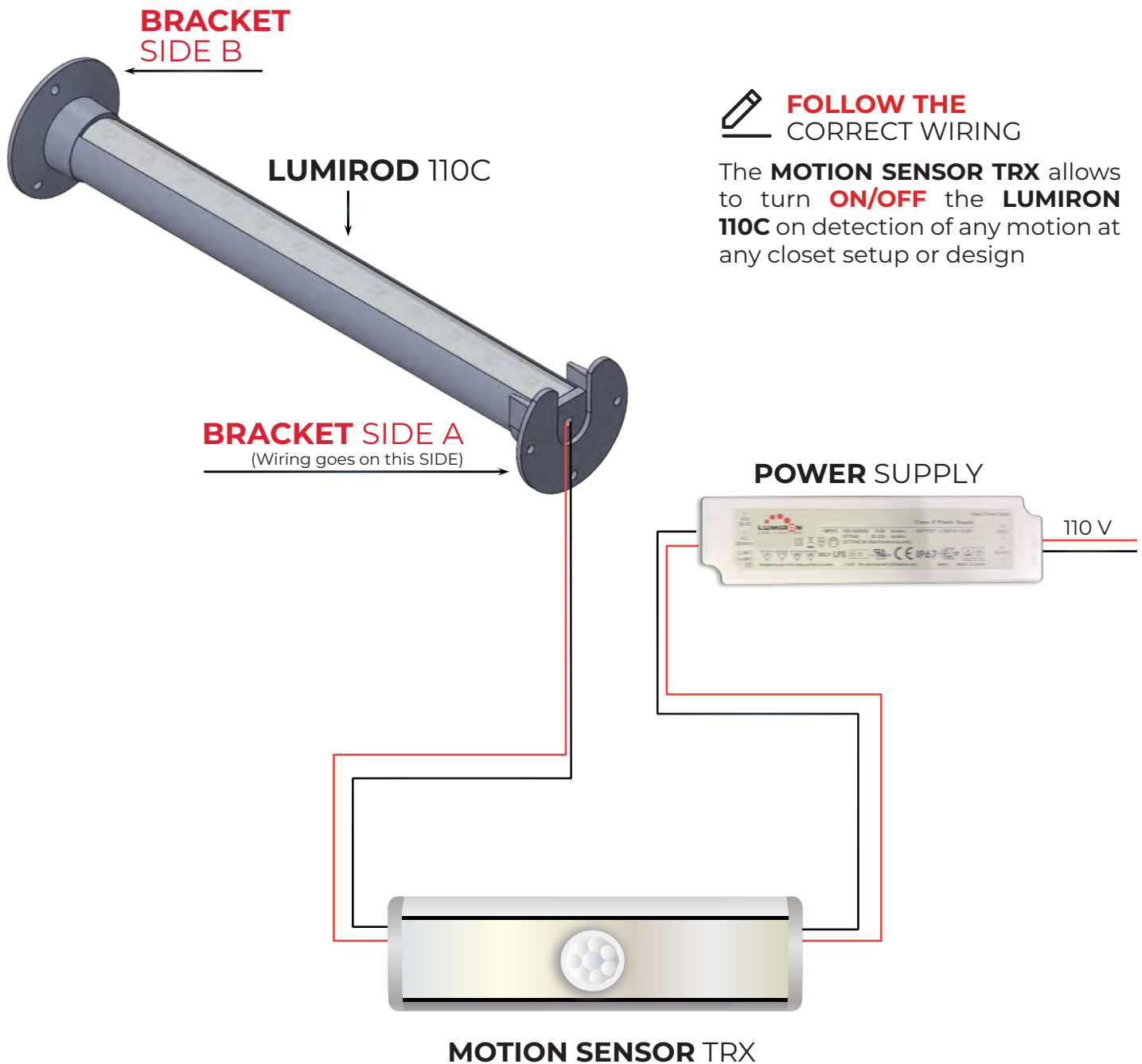
SCAN QR CODE TO GO  
DIRECTLY TO THIS ACCESSORY  
ONLINE PAGE





# MOTION SENSOR TRX ASSEMBLY

SCAN QR CODE TO GO  
DIRECTLY TO THIS ACCESSORY  
ONLINE PAGE



## SECTION 4

# COMPLETE INSTALLATION SAMPLES

Final result will vary depending on number of RODS used and specific project.  
Pictures shown here are just examples of final results.

**LUMIRON™** will deliver custom made  
**LUMIROD 110C LED RODS** for each specific project.

# FINAL RESULT VIEW

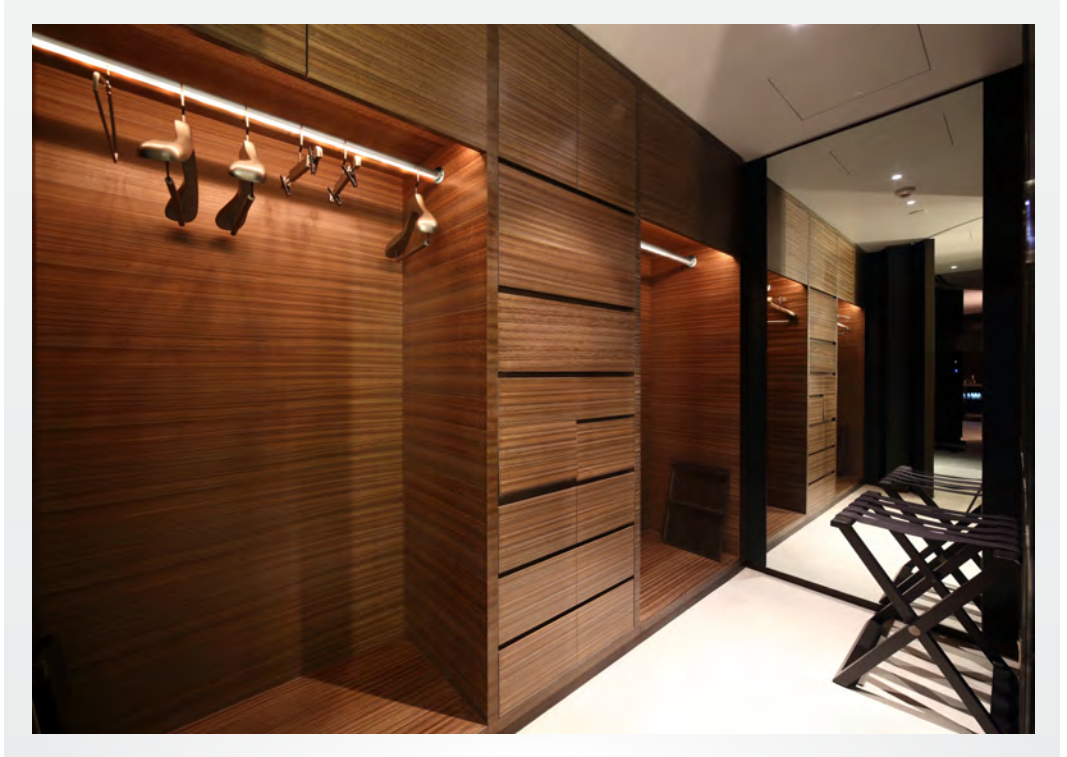
## SAMPLE 1

### LUMIROD 110C FOR A LUXURY FINISH

Created by LUMIRON™, The **New LUMIROD 110C**, gives that special finish to any closet setup, with a practical light from the ROD it self, that can be customized to any need.

### WE LISTEN TO THE NEEDS OF OUR CONSUMERS

Our goal is to achieve excellent performance, energy savings and yet offer the most advanced technology and the highest level of lighting quality control and design



## SAMPLE 2

### IMAGINE THE POSSIBILITIES

### TALK TO US

INFINITE OPTIONS ARE POSSIBLE  
WITH THE  
**NEW LUMIROD 110C**  
ASK US ABOUT HOW TO CREATE  
SOMETHING SPECIAL  
FOR YOUR PROJECT





**WE LISTEN**  
TO THE NEEDS  
OF OUR CONSUMERS

**CONTACT US**

WE CAN ALSO SERVE YOU INTERNATIONALLY



PH: 305-652-2599  
FX: 305-650-8812



20725 NE 16 Ave.  
Suite A-33  
Miami, FL 33179



**lumiron.com**

 [sales@lumiron.com](mailto:sales@lumiron.com)